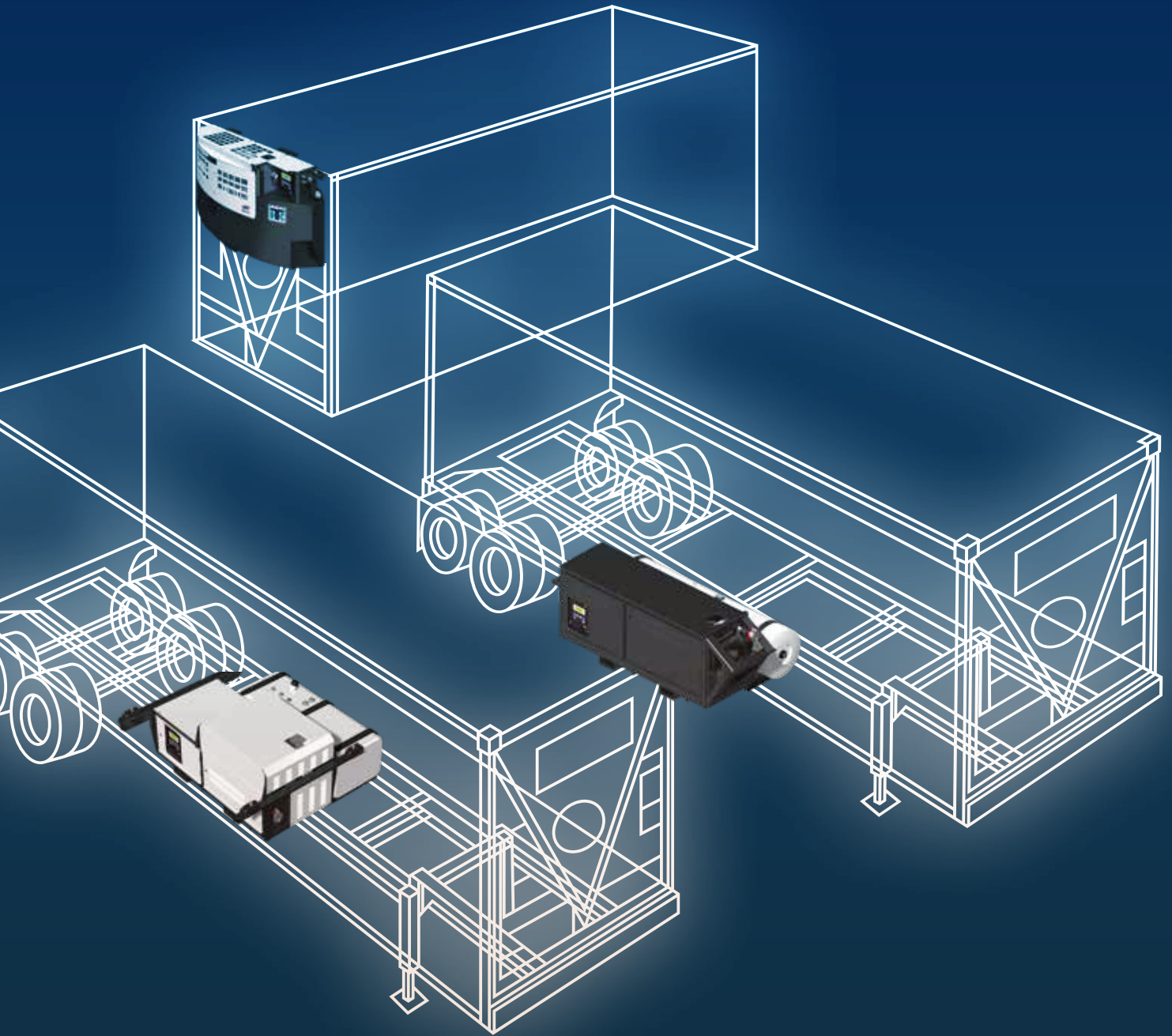




SG-3000 Series Generator Sets

Robust power when you need it!



- **Reliable**
- **Efficient**
- **Easy to operate**



For years, Thermo King has been leading the challenge of making more robust, reliable and smart generator sets available to customers worldwide. The SG-3000 series is the result of years of experience in the most demanding operations.

Efficiency: Exceptional fuel efficiency and extended maintenance periods keep life-cycle costs extremely low.

Reliability: Our deep industry experience and rigorous testing combine to produce the highest levels of reliability under the toughest conditions.

Ease of use: Our latest SG+ controller has the smarts to fine-tune unit operation while providing critical information via a clear and user-friendly display.

Now you are assured of having the power you need, when you need it.



SG-3000 Generator

Efficiency: EcoPower™

Enhanced operation mode allows highly efficient engine management for dramatic fuel savings, through extremely accurate, load-independent voltage regulation.

Reliability

The result of years of experience on the ground and thoughtfully tested components supported by advanced diagnostic and auto restart features.

Ease of use

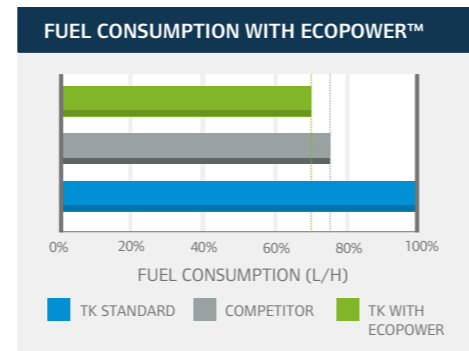
User-friendly interface featuring a dual language, high resolution controller interface ensuring that the unit is operated properly.

Convenience

Extremely low fuel consumption and extended maintenance periods result consistently in lower life-cycle costs.

Flexibility

Specifically designed for reefer applications, available in 3 models for Clip-On, Centre-Mount or Side-Mount.



The EcoPower™ option delivers significant life-cycle cost savings by reducing fuel consumption up to 30%.

| FEATURES | BENEFITS |
|---|---|
| Advanced engine technology featuring an innovative high pressure injection pump | A guarantee of a long term investment |
| Patented cyclonic media air cleaner and ThermoKing patented spin-on, self-evacuating fuel filter | Improved filtering capacity for a longer engine life and extended maintenance intervals |
| Steel frame with extensive 6 step cleaning finished in powder-coated stainless steel and zinc dichromate and e-coated copper tube and aluminum fin radiator | Provides extended corrosion resistance in harsh environments |
| High efficiency generator featuring robust design and stable voltage control | Greater efficiency, reliability |
| SG+ microprocessor controller with user friendly full text menus and messages and advanced diagnostics | Ease of use and service |
| Extended maintenance intervals (EMI 3000) allowing 3,000 hours between services | Improved up time |

SG+: Genset Controller

Improved engine management

Ability to operate genset at variable speeds for reduced fuel consumption and emissions.

User-friendly interface

A 4-line, clear display allows full-message text for clear and immediate understanding of the unit status, settings and alarm messages. Eliminates the need for acronyms and code tables.

Dual language support

The extended memory and advanced menu system supports multiple languages. This not only applies to the alarms, but to the entire menu navigation process.

Advanced diagnostics

Simplified pre-trip components test function and advanced self-checking diagnostic capabilities, including manual function tests and assures trouble-free operation.

Auto restart feature

Allows automatic re-start minimising cargo losses and providing maximum protection for the shipment.

Automatic preheating of engine and delayed voltage output

Extends the life of the unit by ensuring proper operation prior to the full load being applied and prevents engine/alternator damage from cold-starting full reefer loads.

Enhanced connectivity

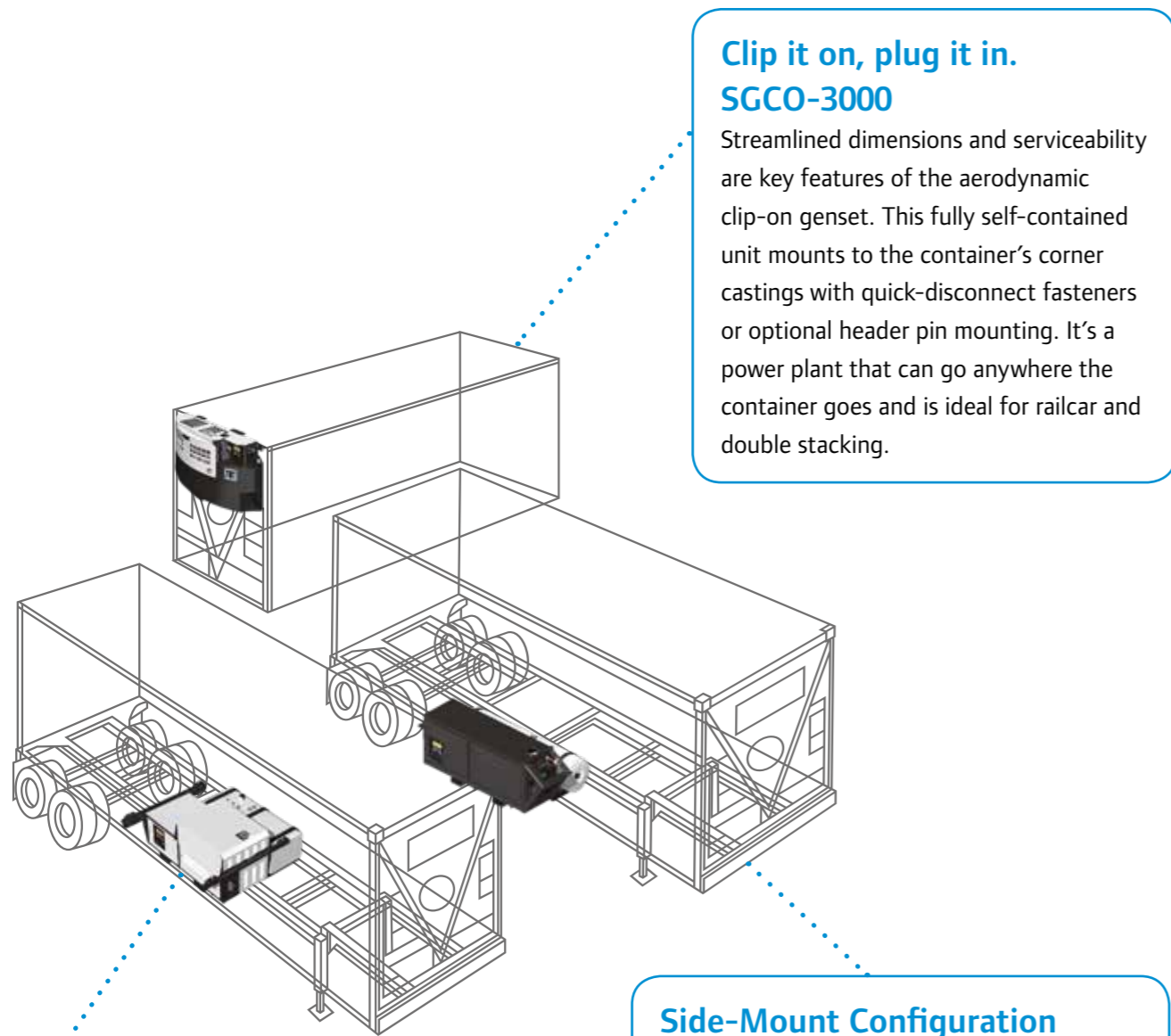
Simple interface to 3rd party telematics solutions enables connectivity and access to a range of telematics offerings.



User-friendly interface

A 4-line, clear display allows full-message text for clear and immediate understanding of the unit status, settings and alarm messages.

SG-3000: Product range



Clip it on, plug it in. SGCO-3000

Streamlined dimensions and serviceability are key features of the aerodynamic clip-on genset. This fully self-contained unit mounts to the container's corner castings with quick-disconnect fasteners or optional header pin mounting. It's a power plant that can go anywhere the container goes and is ideal for railcar and double stacking.

Side-Mount Configuration SGSM-3000

This model is designed for applications requiring under mounting on the side of a container chassis rather than in the centre.

Centre-Mount Configuration SGCM-3000

The Centre-Mount model mounts under the centre of the container chassis between the I-beams to allow for maximum road clearance and even weight distribution. Built-in quick disconnect mounting hardware allows it to be easily mounted and removed.

Specifications

SG-3000 SERIES GENERATOR SET

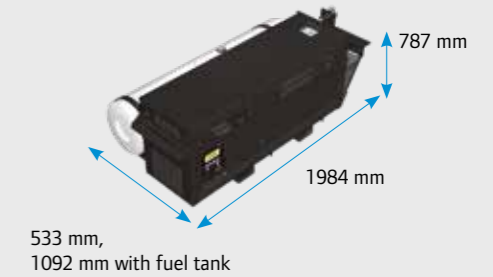
| | |
|-------------------------------------|--|
| Engine | TK Diesel engine, mechanical direct injection, naturally aspirated with closed crankcase ventilation |
| Fuel Type | No.2 Diesel (under normal conditions) No.1 Diesel (cold weather fuel) |
| Rotational speed | 1890+/-10 RPM 1560 + 10-0 RPM |
| Generator | 460/230 Vac, 3 Phase, 60Hz |
| Output Power | 15 kW |
| Apparent Power | 18.75 kVA |
| Rotational speed in Ecopower option | 1800 RPM |
| Electrical System | SG+ microprocessor controller |
| Battery | 12V, 925 CCA at -18°C (0°F) |
| Fuel Tank | Included in all models |
| Clip-On | 473 litres |
| Centre-mount | 302 litres or 198 litres |
| Side-mount | 283 litres Round steel tank |

Specifications are subject to change

The importance of always using Thermo King Spare Parts

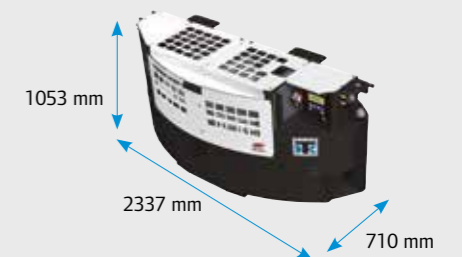
Genuine Thermo King replacement parts are proven time after time to beat the competition in side-by-side testing. Engineered to provide optimal performance and maximum life, Thermo King service parts protect your investment and provide you peace of mind and confidence on the road. Insist on Genuine Thermo King parts, every time!

SGSM-3000



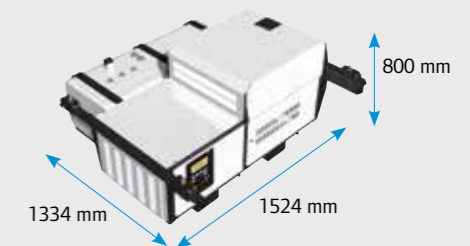
Weight:
678 kg - Total Weight, including Genset, oil, coolant, dry fuel tank and battery.

SGCO-3000



Weight:
818 kg - Total Weight, including Genset, oil, coolant, dry fuel tank and battery. Genset to be provided with decal indicating gross weight inclusive of fuel.

SGCM-3000



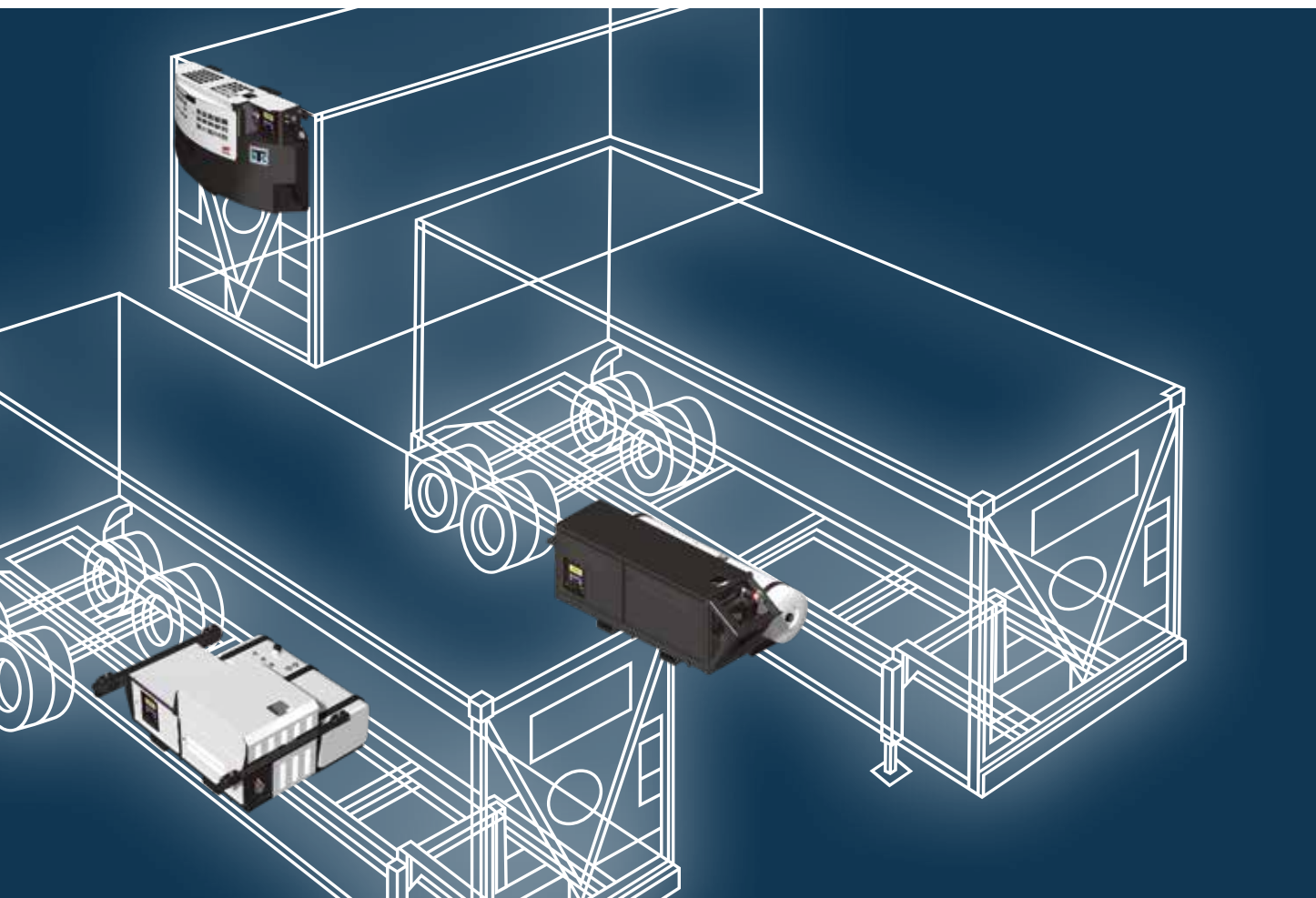
Weight:
671 kg - Total Weight, including Genset, oil, coolant, dry fuel tank and battery. Genset to be provided with decal indicating gross weight inclusive of fuel.

Warranty Summary

Terms of the Thermo King Warranty are available on request from your local Thermo King Dealer.



europe.thermoking.com



For further information please contact:

containerproducts@thermoking.com



Thermo King is a brand of Ingersoll Rand®. Ingersoll Rand (NYSE:IR) advances the quality of life by creating comfortable, sustainable and efficient environments. Our people and our family of brands — including Ingersoll Rand®, Thermo King®, Trane® and Club Car® — work together to enhance the quality and comfort of air in homes and buildings; transport and protect food and perishables; and increase industrial productivity and efficiency. We are a global business committed to a world of sustainable progress and enduring results.



ingersollrand.com

Ingersoll Rand - Lenneke Marelaan 6, B-1932 Sint-Stevens-Woluwe, Belgium.

© 2019 Ingersoll-Rand Company Limited TK 60222 (05-2019)-EN3